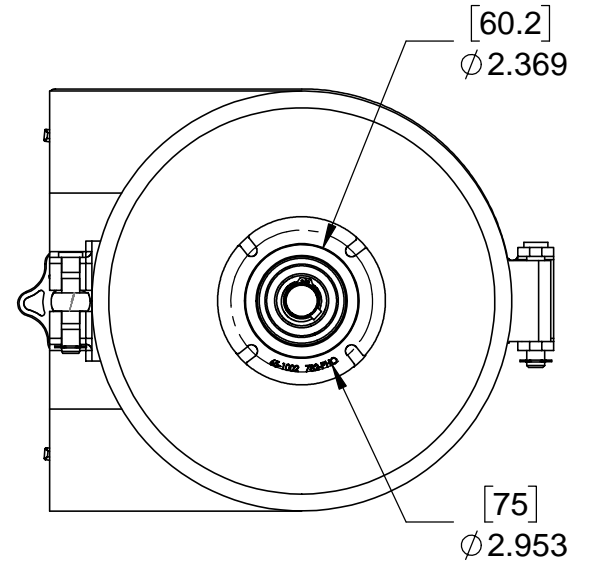
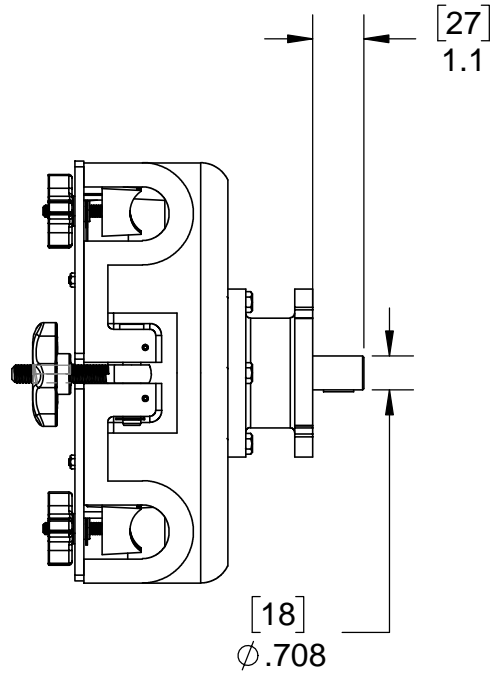
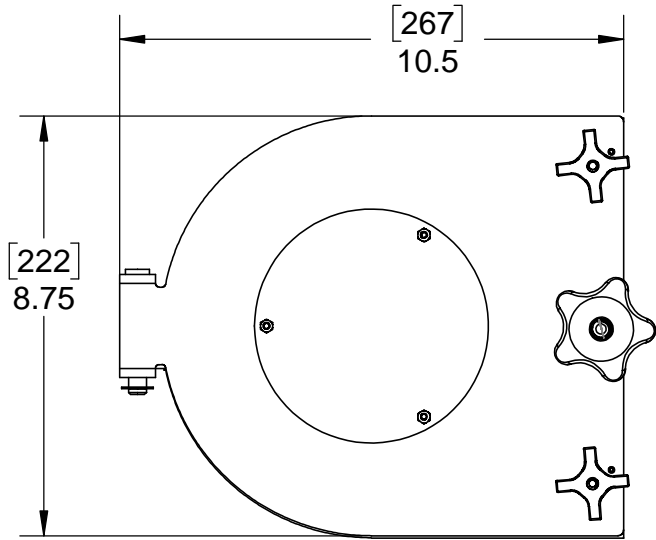


THE INFORMATION CONTAINED IN THIS DRAWING IS THE SOLE PROPERTY OF THE RANDOLPH AUSTIN CO.. ANY REPRODUCTION IN PART OR WHOLE WITHOUT THE WRITTEN PERMISSION OF THE RANDOLPH AUSTIN CO. IS PROHIBITED.



782-PHO
18mm ϕ Output shaft
Standard - 3 Rollers

UNLESS OTHERWISE SPECIFIED
DIMENSIONAL TOLERANCES ARE:
FRACTIONS DECIMALS ANGLES
MILLIMETERS:
N/A ± 0.127 $\pm 0.5^\circ$
INCHES:
 $\pm 1/64$ ± 0.005 $\pm 0.5^\circ$

CAD GENERATED DRAWING.
DO NOT MANUALLY UPDATE



2119 FM 1626
MANCHACA TX. 78652
(512) 282-1590

NEXT ASSY	USED ON
APPLICATION	

MATERIAL
SEE NOTES

FINISH
SEE NOTES

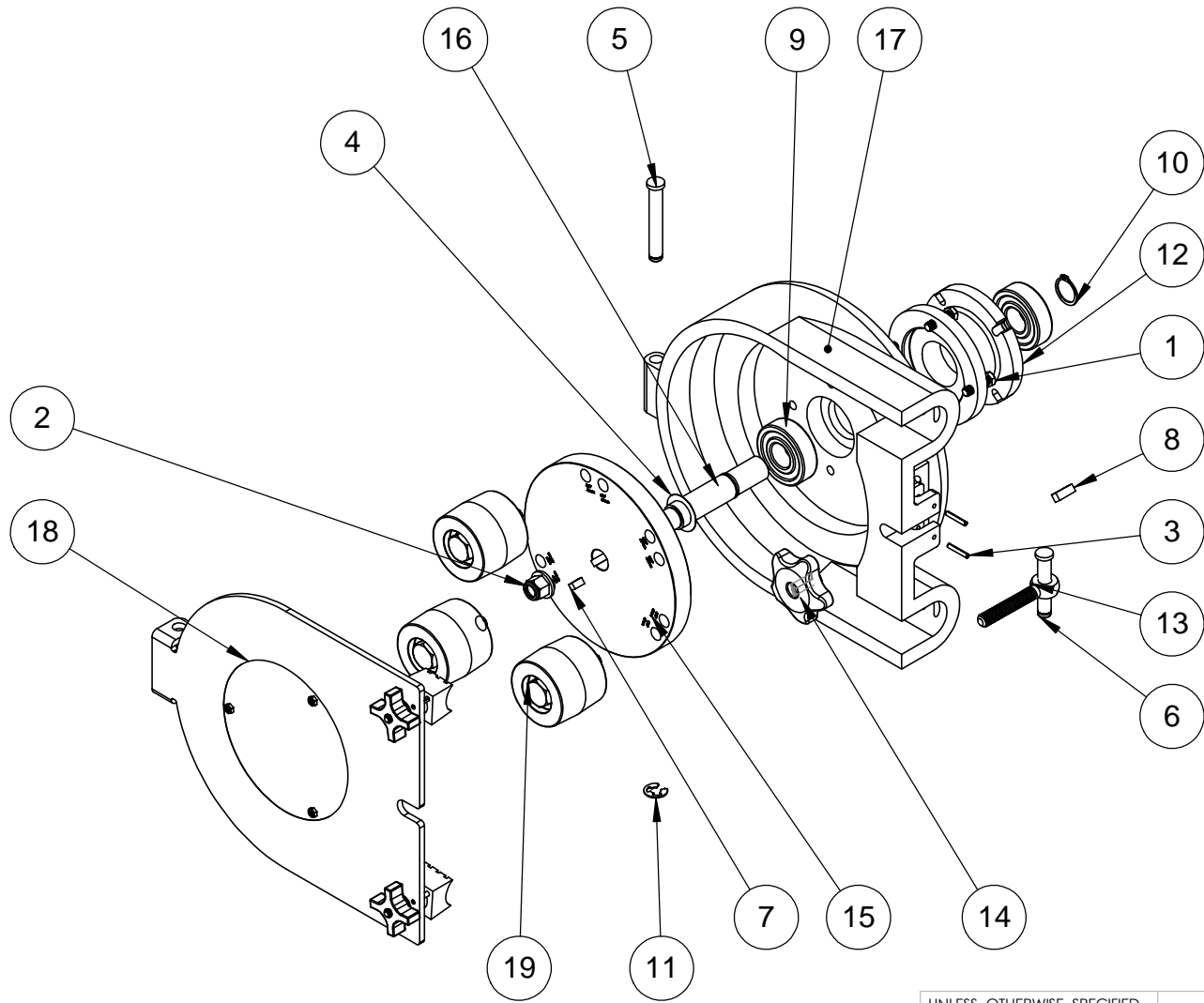
DO NOT SCALE DRAWING

APPROVALS	DATE
DRAWN	8/5/2020
CHECKED	
RESP ENG	
MFG ENG	
QUAL ENG	

782-PHO Mounting
Dimensions, Exploded View
and BOM

SIZE	DWG. NO.	REV.
A	782-PHO	
SCALE	CAD FILE: 782-pho	SHEET 1 OF 2

THE INFORMATION CONTAINED IN THIS DRAWING IS THE SOLE PROPERTY OF THE RANDOLPH AUSTIN CO.. ANY REPRODUCTION IN PART OR WHOLE WITHOUT THE WRITTEN PERMISSION OF THE RANDOLPH AUSTIN CO. IS PROHIBITED.



ITEM NO.	PART No.	Desc	QTY.
1	00-0022	1/4-20 x 7/8	4
2	00-0085	Nut, 3/8-16, Nylock	1
3	00-0087	Drive Pin, .125" x .75"	2
4	00-0572	Shim	1
5	00-0604	Clevis Pin, 3/8" x 2.5"	1
6	00-0605	Clevis Pin, 3/8" x 2"	1
7	00-0700	Key, 3/16" Square	1
8	00-0703	Key, 6mm x16mm	1
9	01-0114	Bearings	2
10	01-0134	Retaining Ring	1
11	01-0186	"E" Clip - Clevis Pins	2
12	65-1002	Hub, 782 Series	1
13	65-1023	Rod End, 3/8-16, Machined	1
14	65-1025	Star Knob	1
15	65-1051	Plate	1
16	65-1086	Shaft, 782 Pump	1
17	78-0001	Housing	1
18	78-0100	Side Plate Assy	1
19	78-0140	Impeller Roller Assy	3

UNLESS OTHERWISE SPECIFIED
 DIMENSIONAL TOLERANCES ARE:
 FRACTIONS DECIMALS ANGLES
 MILLIMETERS:
 N/A ±.127 ±.5°
 INCHES:
 ±1/64 ±.005 ±.5°

CAD GENERATED DRAWING.
 DO NOT MANUALLY UPDATE

782-PHO Mounting
 Dimensions, Exploded View
 and BOM

2119 FM 1626
 MANCHACA TX. 78652
 (512) 282-1590

NEXT ASSY	USED ON	APPLICATION

APPROVALS	DATE
DRAWN	8/5/2020
CHECKED	
RESP ENG	
MFG ENG	
QUAL ENG	

SIZE	DWG. NO.	REV.
A	782-PHO	
SCALE	CAD FILE: 782-pho	SHEET 2 OF 2