

**PROPRIETARY AND CONFIDENTIAL**  
 THE INFORMATION CONTAINED IN THIS DRAWING IS THE SOLE PROPERTY OF Randolph Austin Company. ANY REPRODUCTION IN PART OR AS A WHOLE WITHOUT THE WRITTEN PERMISSION OF Randolph Austin Company IS PROHIBITED.

		DIMENSIONS ARE IN INCHES TOLERANCES: FRACTIONAL ± 1/64 ANGULAR: MACH ± 1° TWO PLACE DECIMAL ± .010 THREE PLACE DECIMAL ± .005		NAME	DATE	Randolph Austin Company
		MATERIAL	--	DRAWN		
		FINISH	--	CHECKED		
NEXT ASSY	USED ON			ENG APPR.		
APPLICATION		DO NOT SCALE DRAWING		MFG APPR.		
				Q.A.		
				COMMENTS:		SIZE <b>A</b> DWG. NO. <b>780-PHO</b> REV.
						SCALE:1:5 WEIGHT: SHEET 1 OF 2

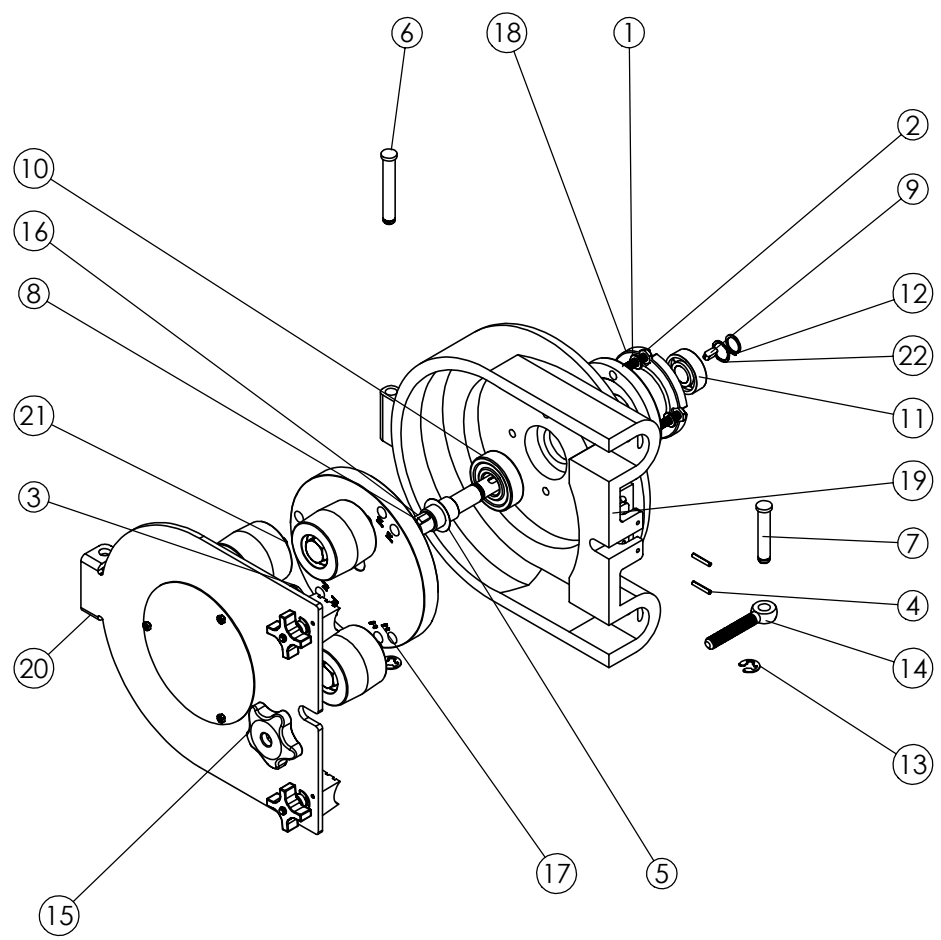
THE INFORMATION CONTAINED IN THIS DRAWING IS THE SOLE PROPERTY OF THE RANDOLPH AUSTIN CO.. ANY REPRODUCTION IN PART OR WHOLE WITHOUT THE WRITTEN PERMISSION OF THE RANDOLPH AUSTIN CO. IS PROHIBITED.

D

C

B

A



ITEM NO.	PART NUMBER	DESCRIPTION	QTY.
1	00-0003	Washer, Split for 1/4" bolts	4
2	00-0018	Socket Set Screw, SS, 1/4-20 x 1/4 L	4
3	00-0085	3/8-16 - Hex nut, Nylon Locking Insert	1
4	00-0087	Drive Pin, .125 X .75, for 780 pumps	2
5	00-0572	Shim	1
6	00-0604	Clevis Pin 2.5 A inch.	1
7	00-0605	Clevis Pin 2 inch.	1
8	00-0700	Key, 3/16" SQ x 3/8" - For 78X pumps	1
9	00-0701	Key, M5 x 5 x 14	1
10	01-0114	Bearing - 750 Shaft	1
11	01-0126	Bearing 35 x 14	1
12	01-0135	Snap Ring, 14 mm shaft	1
13	01-0186	E Clip, 3/8" Shaft	2
14	65-1023	Draw bolt	1
15	65-1025	Star Knob	1
16	65-1049	Shaft, 780 pump, 14mm, for NMRV 030	1
17	65-1051	Plate - 700 series	1
18	65-1052	Mounting Flange, NMRR-030, 14mm Shaft	1
19	78-0002	machined	1
20	78-0100	Side Plate Assembly - 780 pumps	1
21	78-0140	Roller Assy - 780 Pumps	3
22	9714k33	Wave Washer	1

UNLESS OTHERWISE SPECIFIED  
 DIMENSIONAL TOLERANCES ARE:  
 FRACTIONS DECIMALS ANGLES  
 MILLIMETERS:  
 N/A ±.127 ±.5°  
 INCHES:  
 ±1/64 ±.005 ±.5°

CAD GENERATED DRAWING.  
 DO NOT MANUALLY UPDATE



2119 FM 1626  
 MANCHACA TX. 78652  
 (512) 282-1590

APPROVALS	DATE
DRAWN	8/5/2020
CHECKED	
RESP ENG	
MFG ENG	
QUAL ENG	

Exploded View, 780 Pump Assy,  
 14mm Shaft for Mounting  
 onto NMRV-030

SIZE DWG. NO. REV.  
 A 780-PHO

SCALE CAD FILE: 780-PHO SHEET 2 OF 2

NEXT ASSY	USED ON
APPLICATION	DO NOT SCALE DRAWING

MATERIAL **SEE NOTES**

FINISH **SEE NOTES**