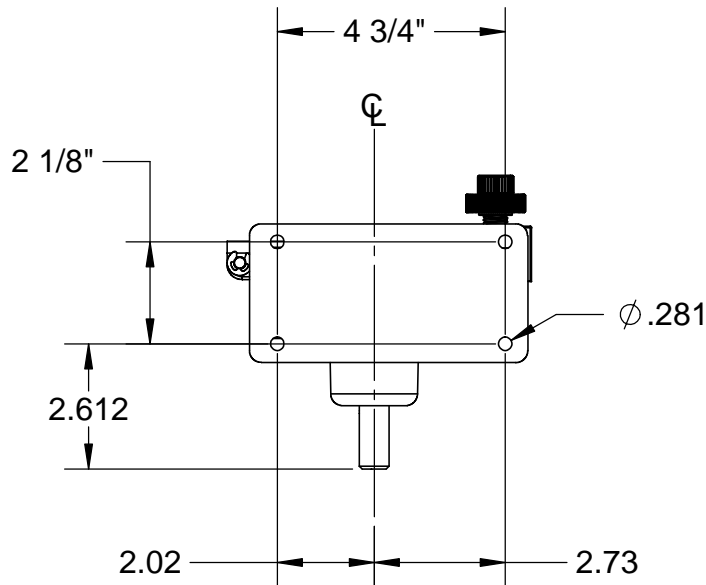
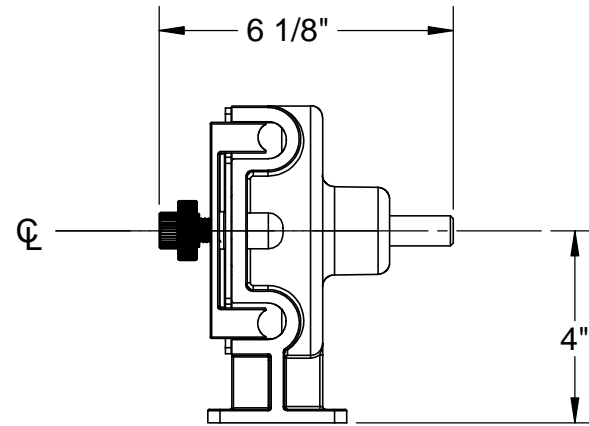
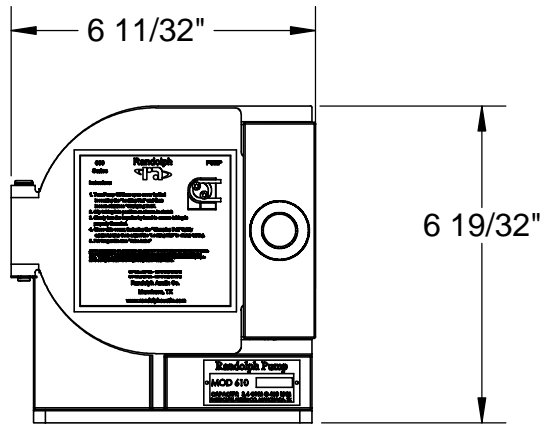



THE INFORMATION CONTAINED IN THIS DRAWING IS THE SOLE PROPERTY OF THE RANDOLPH AUSTIN CO.. ANY REPRODUCTION IN PART OR WHOLE WITHOUT THE WRITTEN PERMISSION OF THE RANDOLPH AUSTIN CO. IS PROHIBITED.



Starting Torque and Shipping Dim				
Part Number	Starting Torque - In-lbs	Net Weight	Gross Weight Lbs	Shipping Dim
610-PHO	27	6.3	8.0	10" x 10" x 10"
610-PH3	25.2	6.9	8.6	10" x 10" x 10"

UNLESS OTHERWISE SPECIFIED
 DIMENSIONAL TOLERANCES ARE:
 FRACTIONS DECIMALS ANGLES
 MILLIMETERS:
 N/A ±.127 ±.5°
 INCHES:
 ±1/64 ±.005 ±.5°

CAD GENERATED DRAWING.
 DO NOT MANUALLY UPDATE

 2119 FM 1626
 MANCHACA TX. 78652
 (512) 282-1590

NEXT ASSY	USED ON
APPLICATION	

MATERIAL **SEE NOTES**
 FINISH **SEE NOTES**
 DO NOT SCALE DRAWING

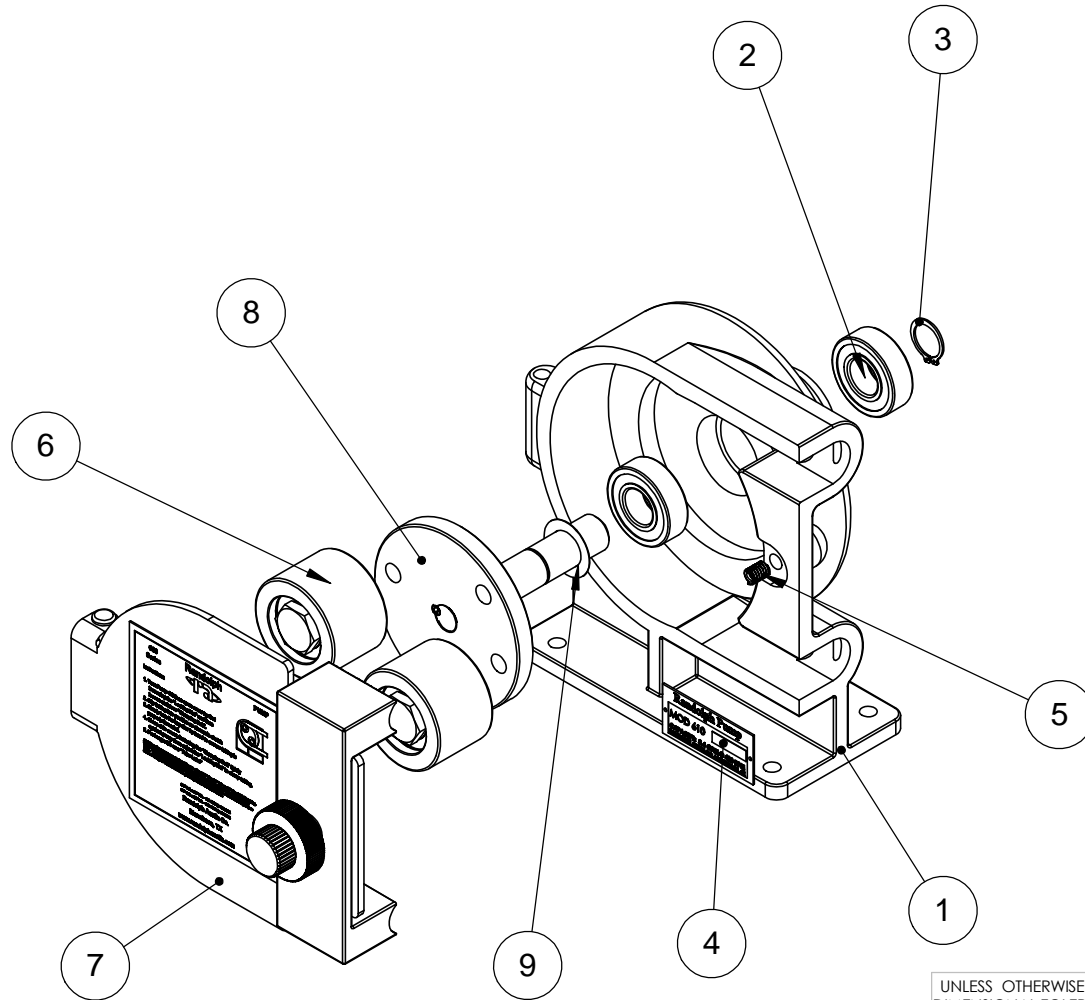
APPROVALS	DATE
DRAWN	8/4/2020
CHECKED	
RESP ENG	
MFG ENG	
QUAL ENG	

610-PHO & 610-PH3
Mounting Dimensions

SIZE	DWG. NO.	REV.
A	610-PHO	
SCALE	CAD FILE: 610-PHO	SHEET 1 OF 3

THE INFORMATION CONTAINED IN THIS DRAWING IS THE SOLE PROPERTY OF THE RANDOLPH AUSTIN CO.. ANY REPRODUCTION IN PART OR WHOLE WITHOUT THE WRITTEN PERMISSION OF THE RANDOLPH AUSTIN CO. IS PROHIBITED.

ITEM NO.	PART NO.	DESCRIPTION	QTY.
1	61-0010	610 PHO	1
2	01-0113	Bearing	2
3	01-0133	Snap Ring	1
4	61-0050	Serial No. Plate - Included in Housing	1
5	00-0601	Helicoil Insert - Included in Housing	1
6	61-0140	Impeller Roller Assy	2
7	61-0097	Side Plate Sub Assy 610	1
8	61-0080	Plate and Shaft Assembly	1
9	00-0532	Shim	1



UNLESS OTHERWISE SPECIFIED
 DIMENSIONAL TOLERANCES ARE:
 FRACTIONS DECIMALS ANGLES
 MILLIMETERS:
 N/A ±.127 ±.5°
 INCHES:
 ±1/64 ±.005 ±.5°

CAD GENERATED DRAWING,
 DO NOT MANUALLY UPDATE

 2119 FM 1626
 MANCHACA TX. 78652
 (512) 282-1590

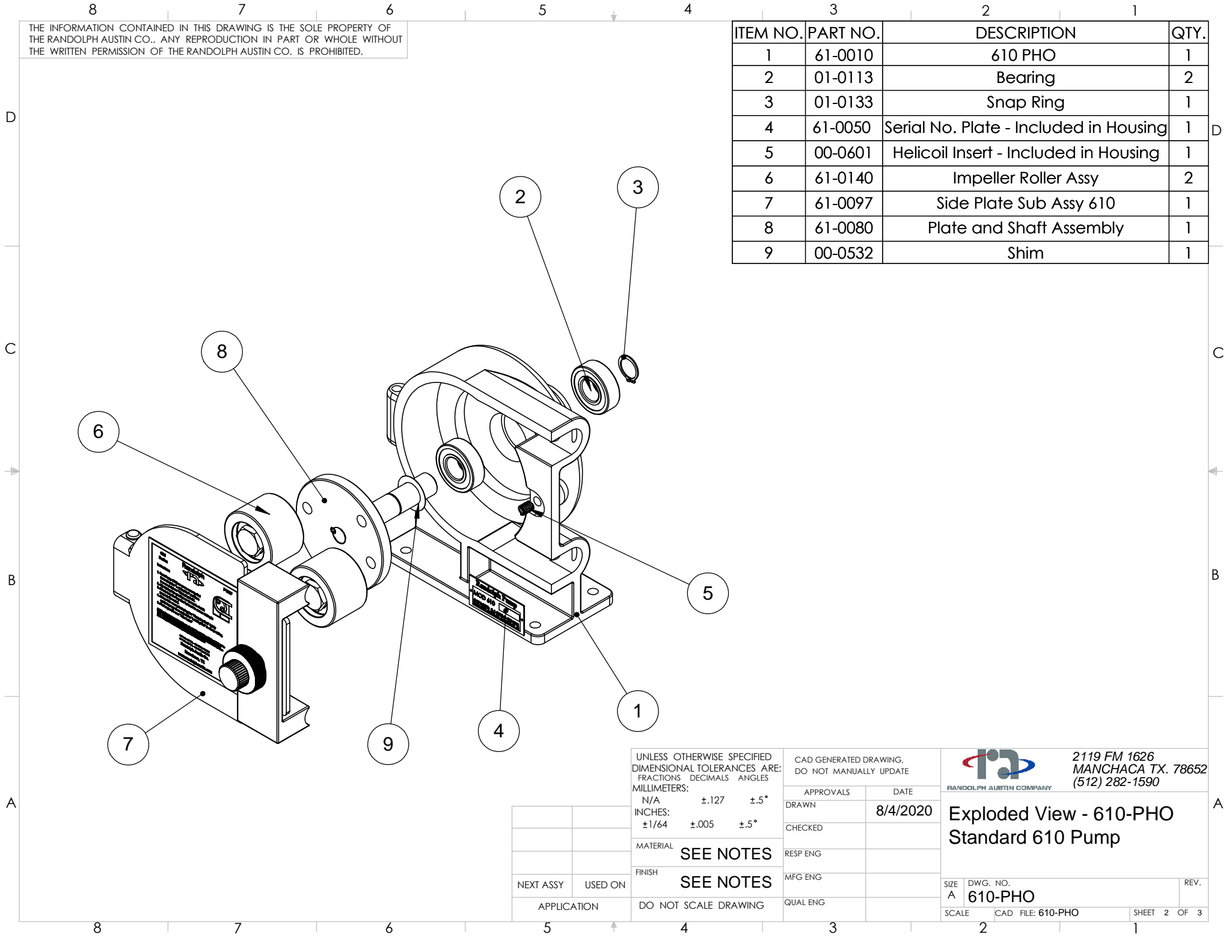
APPROVALS	DATE
DRAWN	8/4/2020
CHECKED	
RESP ENG	
MFG ENG	
QUAL ENG	

Exploded View - 610-PHO
Standard 610 Pump

SIZE	DWG. NO.	REV.
A	610-PHO	
SCALE	CAD FILE: 610-PHO	SHEET 2 OF 3

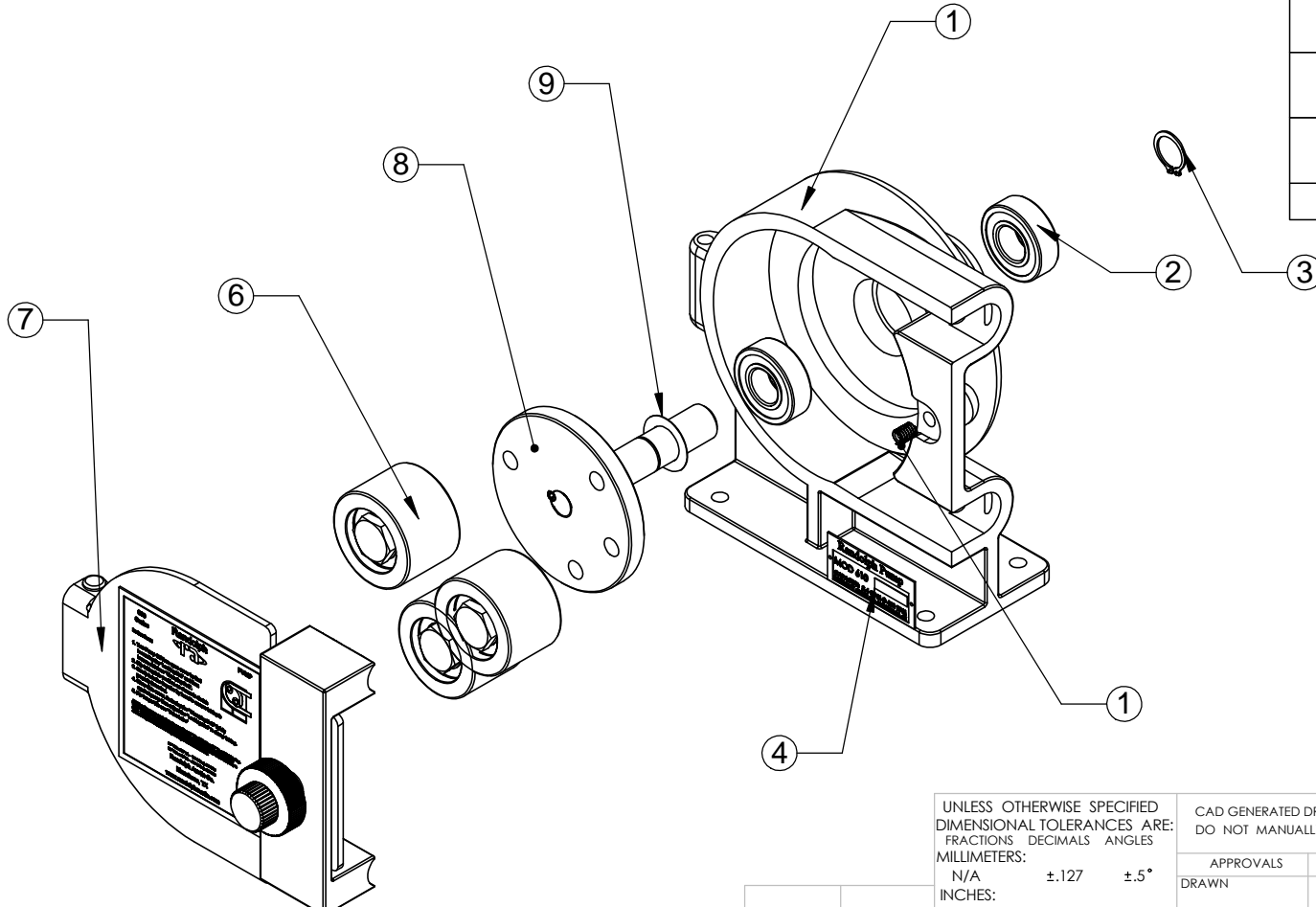
NEXT ASSY	USED ON
APPLICATION	DO NOT SCALE DRAWING

MATERIAL **SEE NOTES**
 FINISH **SEE NOTES**



THE INFORMATION CONTAINED IN THIS DRAWING IS THE SOLE PROPERTY OF THE RANDOLPH AUSTIN CO.. ANY REPRODUCTION IN PART OR WHOLE WITHOUT THE WRITTEN PERMISSION OF THE RANDOLPH AUSTIN CO. IS PROHIBITED.

ITEM NO.	PART NO.	DESCRIPTION	QTY.
1	61-0010	610 PHO	1
2	01-0113	Bearing	2
3	01-0133	Snap Ring	1
4	61-0050	Serial No. Plate - Included in Housing	1
5	00-0601	Helicoil Insert - Included in Housing	1
6	61-0140	Impeller Roller Assembly	3
7	61-0097	Side Plate Sub Assy 610	1
8	61-0080	Plate and Shaft Sub Assy	1
9	00-0532	Shim	1



UNLESS OTHERWISE SPECIFIED
 DIMENSIONAL TOLERANCES ARE:
 FRACTIONS DECIMALS ANGLES
 MILLIMETERS:
 N/A ±.127 ±.5°
 INCHES:
 ±1/64 ±.005 ±.5°

CAD GENERATED DRAWING.
 DO NOT MANUALLY UPDATE

 2119 FM 1626
 MANCHACA TX. 78652
 (512) 282-1590

NEXT ASSY	USED ON
APPLICATION	

MATERIAL **SEE NOTES**
 FINISH **SEE NOTES**
 DO NOT SCALE DRAWING

APPROVALS	DATE
DRAWN	8/4/2020
CHECKED	
RESP ENG	
MFG ENG	
QUAL ENG	

Exploded view - 610-PH3
3 Impeller pump assy

SIZE	DWG. NO.	REV.
A	610-PH3	
SCALE	CAD FILE: 610-PHO	SHEET 3 OF 3