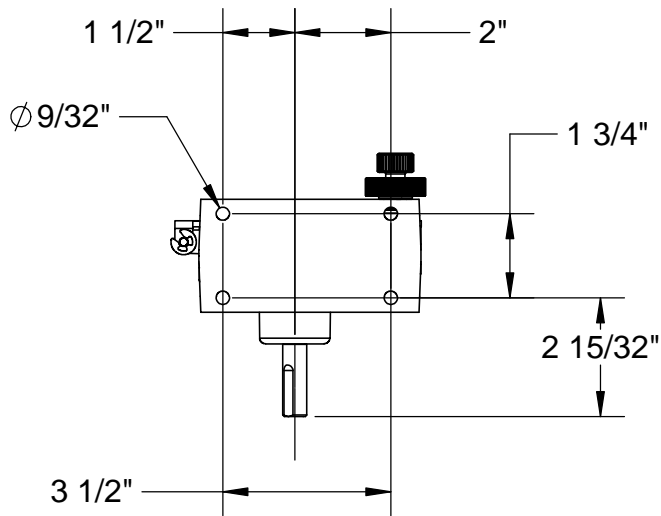
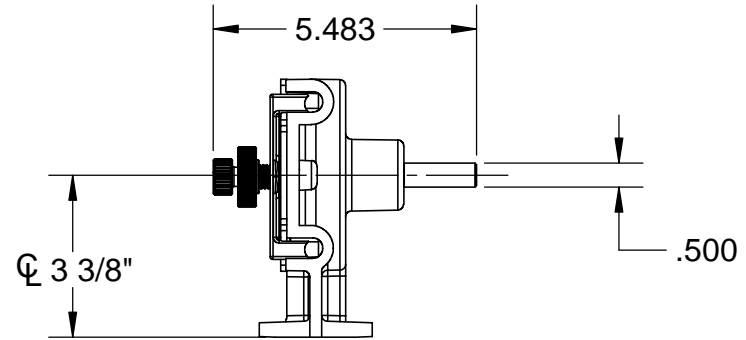
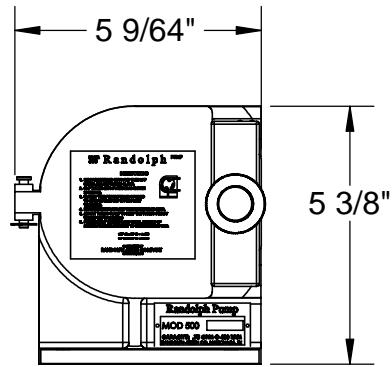


THE INFORMATION CONTAINED IN THIS DRAWING IS THE SOLE PROPERTY OF THE RANDOLPH AUSTIN CO.. ANY REPRODUCTION IN PART OR WHOLE WITHOUT THE WRITTEN PERMISSION OF THE RANDOLPH AUSTIN CO. IS PROHIBITED.



UNLESS OTHERWISE SPECIFIED
 DIMENSIONAL TOLERANCES ARE:
 FRACTIONS DECIMALS ANGLES
 MILLIMETERS:
 N/A ±.127 ±.5°
 INCHES:
 ±1/64 ±.005 ±.5°

CAD GENERATED DRAWING.
 DO NOT MANUALLY UPDATE



2119 FM 1626
 MANCHACA TX. 78652
 (512) 282-1590

APPROVALS	DATE
DRAWN	8/4/2020
CHECKED	

RESP ENG	
MFG ENG	
QUAL ENG	

**500-PHO, Mounting Dimensions,
 Exploded View and BOM**

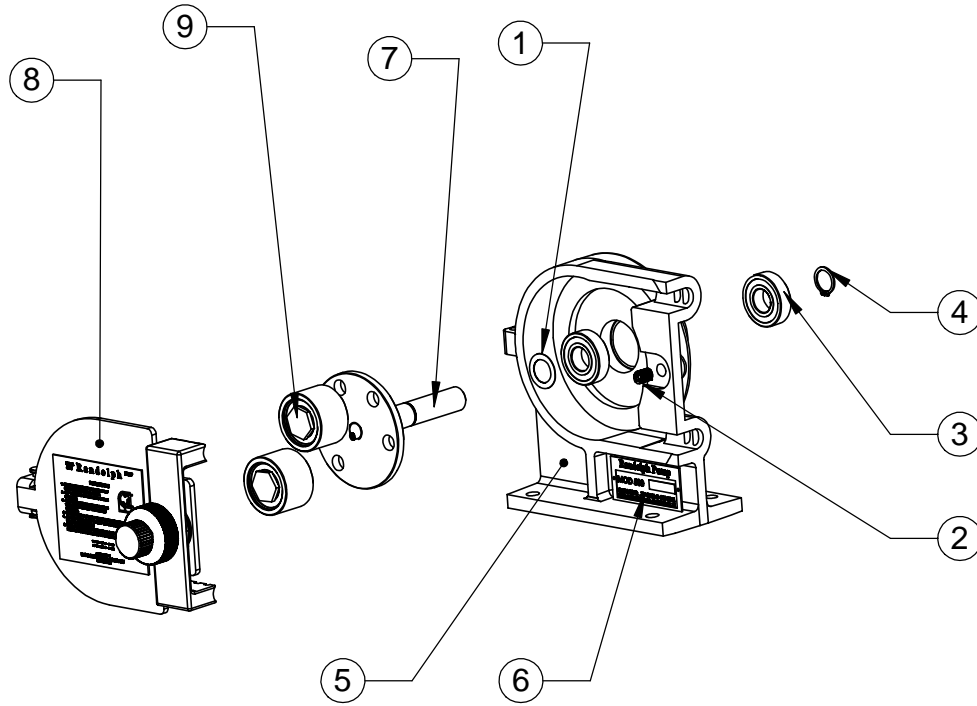
SIZE	DWG. NO.	REV.
A	500-PHO	
SCALE	CAD FILE: 500-PHO	SHEET 1 OF 3

NEXT ASSY	USED ON
APPLICATION	

SEE NOTES
SEE NOTES
 DO NOT SCALE DRAWING

THE INFORMATION CONTAINED IN THIS DRAWING IS THE SOLE PROPERTY OF THE RANDOLPH AUSTIN CO.. ANY REPRODUCTION IN PART OR WHOLE WITHOUT THE WRITTEN PERMISSION OF THE RANDOLPH AUSTIN CO. IS PROHIBITED.

ITEM NO.	PART NUMBER	Description	500- PHO /QTY
1	00-0521	Shim	1
2	00-0601	Helicoil Insert	1
3	01-0112	Housing Bearings	2
4	01-0132	Retaining Ring	1
5	51-0010 C	Housing, Machined	1
6	51-0050	Serial Number Tag	1
7	51-0080	Plate and Shaft Assy	1
8	51-0097	Side Cover & Tube Clamp Sub Assy	1
9	51-0140	Impeller Roller Assy	2



UNLESS OTHERWISE SPECIFIED
 DIMENSIONAL TOLERANCES ARE:
 FRACTIONS DECIMALS ANGLES
 MILLIMETERS:
 N/A ±.127 ±.5°
 INCHES:
 ±1/64 ±.005 ±.5°

CAD GENERATED DRAWING.
 DO NOT MANUALLY UPDATE



2119 FM 1626
 MANCHACA TX. 78652
 (512) 282-1590

NEXT ASSY	USED ON
APPLICATION	

MATERIAL **SEE NOTES**
 FINISH **SEE NOTES**

DO NOT SCALE DRAWING

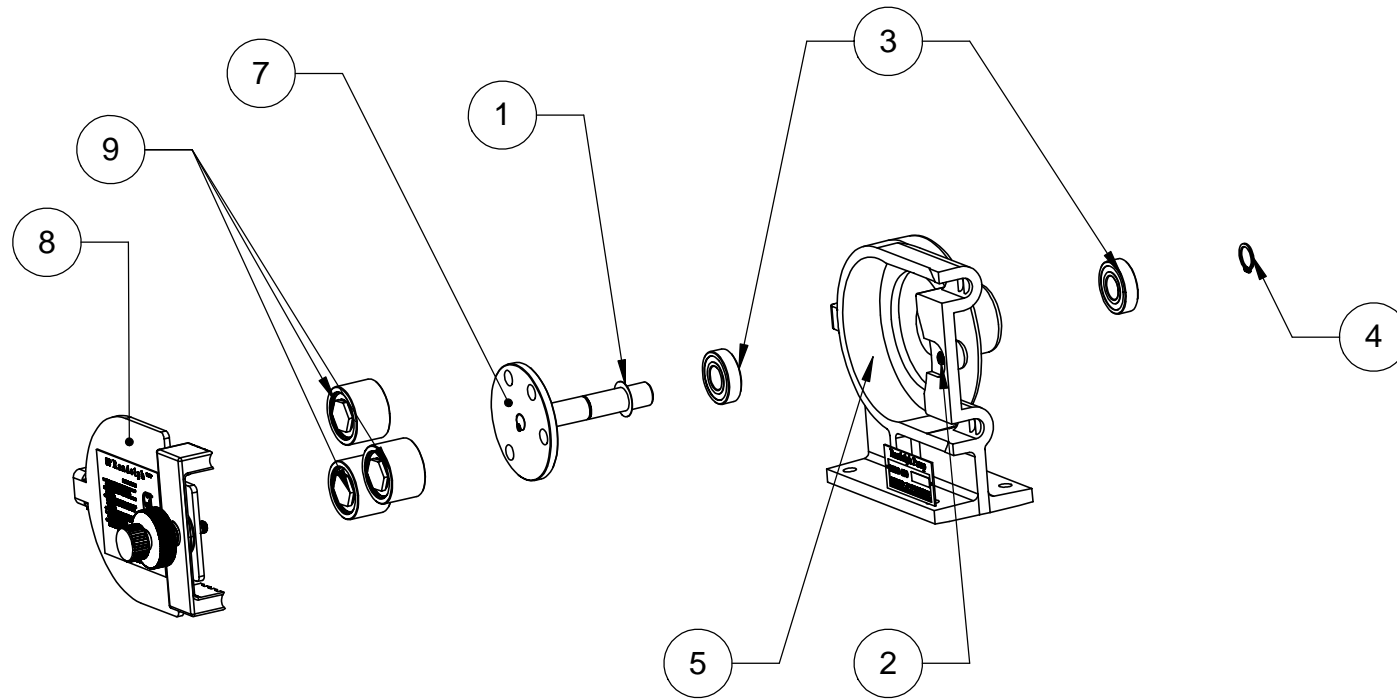
APPROVALS	DATE
DRAWN	8/4/2020
CHECKED	
RESP ENG	
MFG ENG	
QUAL ENG	

**500-PHO, Mounting Dimensions,
 Exploded View and BOM**

SIZE A	DWG. NO. 500-PHO	REV.
SCALE	CAD FILE: 500-PHO	SHEET 2 OF 3

THE INFORMATION CONTAINED IN THIS DRAWING IS THE SOLE PROPERTY OF THE RANDOLPH AUSTIN CO.. ANY REPRODUCTION IN PART OR WHOLE WITHOUT THE WRITTEN PERMISSION OF THE RANDOLPH AUSTIN CO. IS PROHIBITED.

ITEM NO.	PART NUMBER	DESCRIPTION	QTY.
1	51-0010 C	hinged pump casting	1
2	00-0521	Shim	1
3	51-0140	Impeller Roller Assy	3
4	01-0112	Bearing	2
5	01-0132	Retaining Ring	1
6	51-0050	Serial No Tag	1
7	51-0097	Exploded View	1
8	00-0601	Helicoil Insert	1
9	51-0080	500 Impeller plate and shaft assy	1



UNLESS OTHERWISE SPECIFIED
 DIMENSIONAL TOLERANCES ARE:
 FRACTIONS DECIMALS ANGLES
 MILLIMETERS:
 N/A ±.127 ±.5°
 INCHES:
 ±1/64 ±.005 ±.5°

CAD GENERATED DRAWING.
 DO NOT MANUALLY UPDATE



2119 FM 1626
 MANCHACA TX. 78652
 (512) 282-1590

APPROVALS	DATE
DRAWN	8/4/2020
CHECKED	
RESP ENG	
MFG ENG	
QUAL ENG	

**500-PH3, Three Impeller
 500 pump head assembly,
 Exploded View**

NEXT ASSY	USED ON
APPLICATION	

MATERIAL **SEE NOTES**
 FINISH **SEE NOTES**
 DO NOT SCALE DRAWING

SIZE	DWG. NO.	REV.
A	500-PH3	
SCALE	CAD FILE: 500-PHO	SHEET 3 OF 3