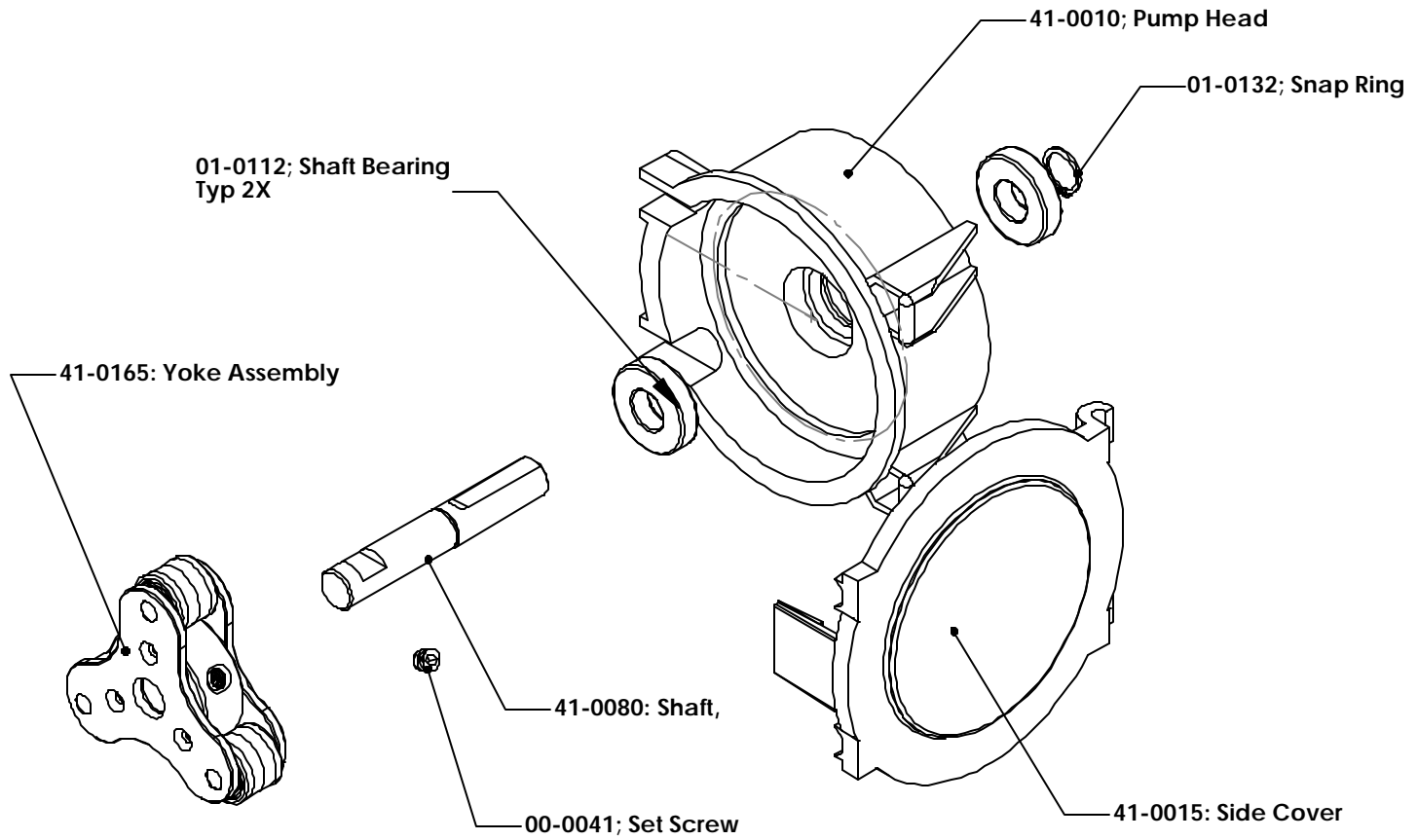


THE INFORMATION CONTAINED IN THIS DRAWING IS THE SOLE PROPERTY OF Randolph Austin Company ANY REPRODUCTION IN PART OR WHOLE WITHOUT THE WRITTEN PERMISSION OF Randolph Austin Company IS PROHIBITED.



ITEM NO.	PART OR IDENTIFYING NO.	NOMENCLATURE OR DESCRIPTION	MATERIAL SPECIFICATION	QTY RECD
PARTS LIST				
UNLESS OTHERWISE SPECIFIED DIMENSIONS ARE IN INCHES TOLERANCES ARE:		CAD GENERATED DRAWING. DO NOT MANUALLY UPDATE		Randolph Austin Comapny
FRACTIONS DECIMALS ANGLES		APPROVALS	DATE	
		DRAWN		Exploded Diagram, 400 Series Pump Head
		CHECKED		
		RESP ENG		
		MFG ENG		
NEXT ASSY	USED ON	FINISH		SIZE A
APPLICATION		DO NOT SCALE DRAWING	QUAL ENG	DWG. NO. <b>400-PHO</b>
				SCALE
				CAD FILE:
				SHEET OF